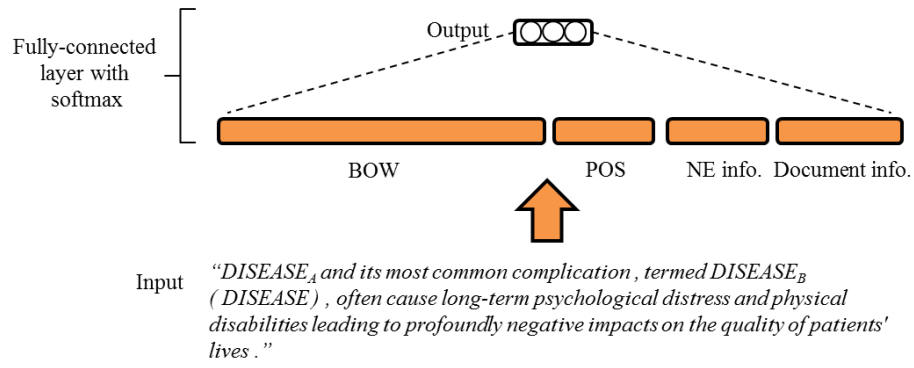
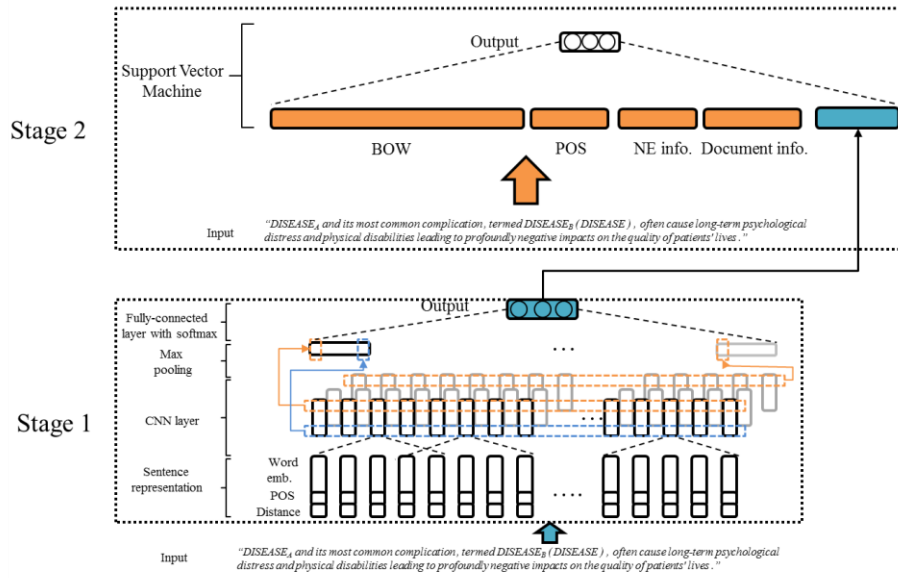


Multimedia Appendix 7: Architecture of CR_{cross-entropy}



H. Architecture of SVM + CNN



I. Effect of Different Features on LC-CNN

Table 3. The effect of different features on performance.

Model	Tuning			Test		
	P(%)	R(%)	F(%)	P(%)	R(%)	F(%)
LC-CNN _{PubMed}	81.19	87.36	84.07	82.36	85.00	84.18
- BOW	78.75	86.02	81.83	73.49	91.03	81.33
- POS	86.14	80.41	83.17	77.86	84.51	81.05
- NE information	76.20	91.27	83.06	74.49	87.85	80.62
- Document-level information	78.22	90.04	83.70	76.30	84.03	79.98