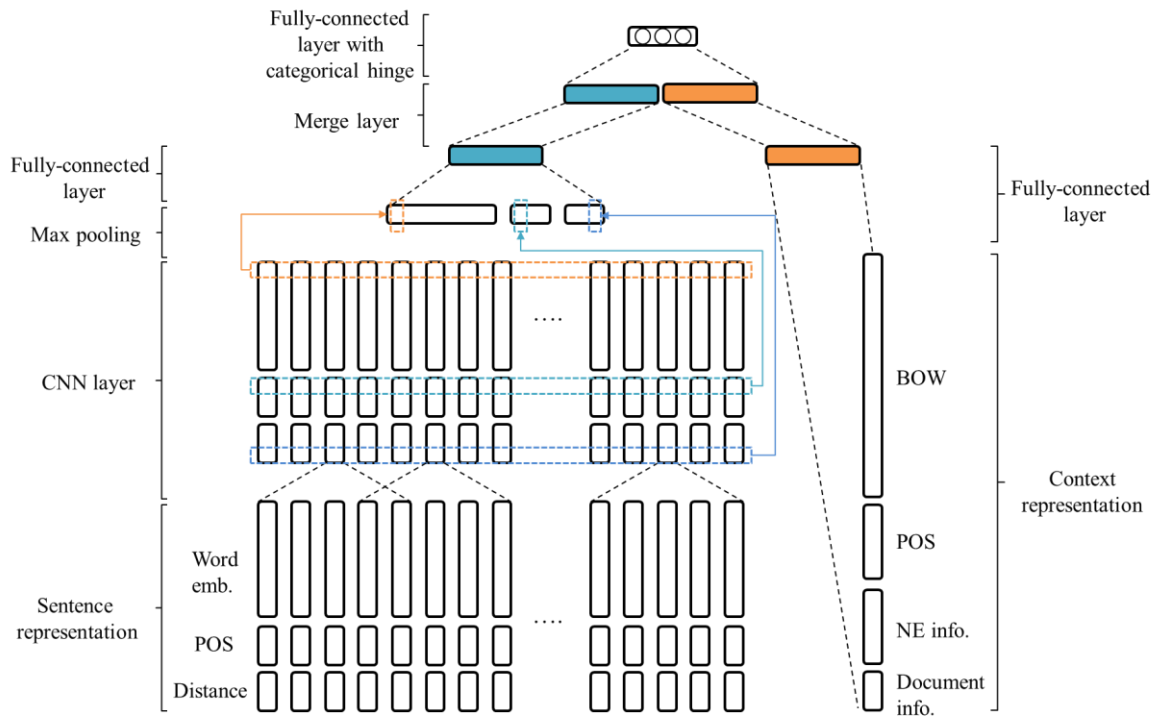


## Multimedia Appendix 8: Architecture of SCNN



*“DISEASE<sub>A</sub> and its most common complication, termed DISEASE<sub>B</sub> (DISEASE), often cause long-term psychological distress and physical disabilities leading to profoundly negative impacts on the quality of patients' lives.”*